

1st iRAO 17

International Reasoning & Aptitude Olympiad



Organized by:
SILVER ZONE
FOUNDATION
NEW DELHI - INDIA

In association with:
SOCIETY OF SCIENCE EDUCATION
New Delhi - India
www.silverzone.org

CLASS : 8 (SYLLABUS & SAMPLE QUESTIONS)

Analogy, Blood Relation, Series Completion, Classification, Direction Test, Coding-Decoding, Inserting Missing Number, Statement Analysis, Statement Conclusion, Rule Detection, Number System, Geometry, Mensuration, Algebra, Data Handling.

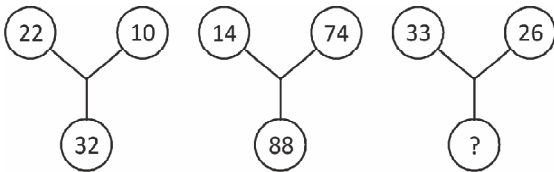
The Actual Question Paper Contains 50 Questions. The Duration of the Test Paper is 60 Minutes.

- Select the pair of words which are related in the same way as 'current' is related to 'Ampere'.**
(A) Power : Energy
(B) Pressure : Time
(C) Force : Newton
(D) Mass : Meter
(E) None of these
- If S – T means 'S' is the wife of 'T', S + T means 'S' is the daughter of 'T' and S ÷ T means 'S' is the son of 'T' then what will M + J ÷ K mean?**
(A) 'K' is the father of 'M'
(B) 'M' is the granddaughter of K
(C) 'J' is wife of 'K'
(D) 'K' and 'M' are brothers
(E) None of these
- Choose the missing term out of the given alternatives.**
A729, C676, G625, I576, _____.
(A) M625 (B) N484
(C) N416 (D) M529
(E) None of these
- Four of the following five pairs of alphabets and numerals have same relationship between their elements as in the case of the pair PROBLEM : 2948375 and hence form a group. Which one does not belong to the group?**
(A) BORE : 8497 (B) MOEP : 5972
(C) LBOR : 3849 (D) OMEP : 4572
(E) EROL : 7943
- A man faces towards north. Turning to his right, he walks 25 metres. He then turns to his left and walks 30 meters. Next, he moves 25 meters to his right. He then turns to his right again and walks 55 meters. Finally, he turns to the right and moves 40 meters. In which direction is he from his starting point ?**
(A) South-West (B) South
(C) North-West (D) South-East
(E) None of these
- In a certain code FINGER is written as DGLECP, what will be the code for KIDNEY?**
(A) IGBLCW (B) IGCLBW
(C) IBCGLE (D) IGBKCV
(E) None of these

7. In a certain code '786' means 'bring me apple', '958' means 'peel green apple' and '645' means 'bring green fruit'. Which of the following is the code for 'me'?

- (A) 8
- (B) 6
- (C) 7
- (D) Cannot be determined
- (E) None of these

8. Find the missing character in the given figures.



- (A) 48
- (B) 58
- (C) 59
- (D) 95
- (E) None of these

9. Insert the missing number.

8	7	5
10	7	5
9	7	?

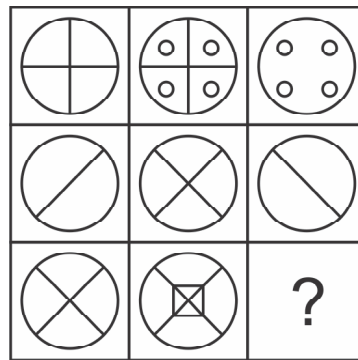
- (A) 2
- (B) 5
- (C) 20
- (D) 25
- (E) None of these

10. Among five boys, Dennis is taller than Shaun, but not as much as Raju. Jayant is taller than Dutta but shorter than Shaun. Who is the tallest?

- (A) Raju
- (B) Shaun

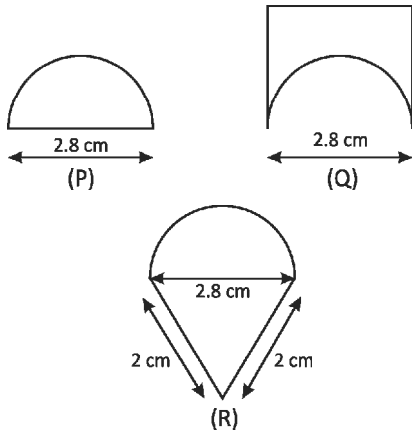
- (C) Dennis
- (D) Can't be determined
- (E) None of these

11. In this type of question, a set of figures is given in a matrix. All figures in the matrix follow the same rule. To solve this questions, one should look at the figures in matrix carefully and on the basis of this rule, find the figure that fits in the blank box.



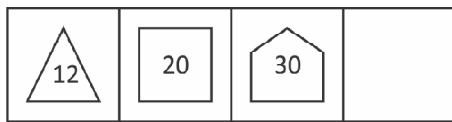
- (A)
- (B)
- (C)
- (D)
- (E) None of these

12. An ant is moving around a few food pieces of different shapes scattered on the floor. For which food-piece would the ant have to take a longer round?



- (A) Food Piece (P)
- (B) Food Piece (Q)
- (C) Food Piece (R)
- (D) Food Pieces (P) and (Q)
- (E) None of these

13. Find the missing figure.



- (A)
- (B)
- (C)
- (D)
- (E) None of these

14. Arrange the following words according to English Dictionary.

1. Banal
 2. Banana
 3. Banish
 4. Bandage
 5. Bandit
- (A) 1, 3, 2, 4, 5
 - (B) 1, 2, 4, 3, 5
 - (C) 1, 2, 4, 5, 3
 - (D) 1, 3, 2, 5, 4
 - (E) None of these

15. In a certain language, (a) 'FOR' stands for 'old is gold'; (b) 'ROT' stand for 'gold is pure'; (c) 'ROM' stands for 'gold is costly'. How will 'pure old gold is costly' be written?

- (A) TFROM
- (B) FOTRM
- (C) FTORM
- (D) TOMRF
- (E) None of these

ANSWERS

1. (C) 2. (B) 3. (D) 4. (B) 5. (D) 6. (A) 7. (C) 8. (C) 9. (B) 10. (A)
 11. (B) 12. (B) 13. (D) 14. (C) 15. (A)